

PERMANENT WAY
NOTES.

CHAIRS (6)

ELBOW 00
CHAIRS SEC

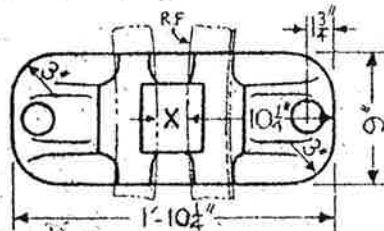
THESE NOTES ARE INTENDED FOR THE GUIDANCE AND ASSISTANCE OF STAFF ENGAGED UPON PERMANENT WAY WORK. THEY DO NOT IN ANY WAY MODIFY, OR AMEND, THE INSTRUCTIONS LAID DOWN IN E.D.I., STANDARD DRAWINGS, CIRCULARS ETC., WHICH SHOULD BE REFERRED TO IN ALL CASES.

ID

ORDER AS :-

ID (6-6 $\frac{3}{4}$), OR, ID (7-8)

N	X
6-6 $\frac{3}{4}$	2 $\frac{1}{8}$ "
7-8	2"

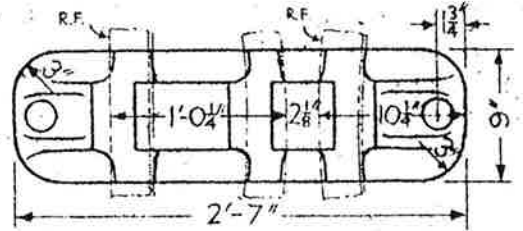


[WT. 98 LBS.]

Sn.19257

ID (COMP.) 6 TO 8

[N.B. STATE ACTUAL ANGLE OF ELBOW.]



[WT. 149 LBS.]

Sn.19254

2D, 2D (COMP.)
3D, 3D (COMP.)

OBSOLETE, SLAB AND BRACKETS (BC CHAIRS) USED INSTEAD EXCEPT ON A FEW VERY OLD ELBOWS.

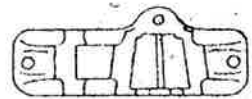
2D
(A OR B)

MADE TO ALL ANGLES, 2-8"



2D (COMP)
(A OR B)

MADE TO ALL ANGLES, 6-8



[DRAWN A]

3D
(A OR B)

MADE TO ALL ANGLES, 4-8



[DRAWN A]

3D (COMP)
(A OR B)

MADE TO ALL ANGLES, 6-8



[DRAWN A]

CS

SEE "CHAIRS (5)" DRG. NO R1739

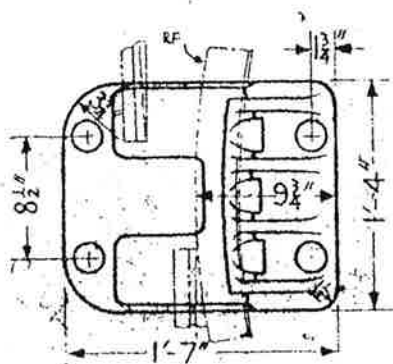
BC

SEE "CHAIRS (1)" DRG. NO R1734

ISD

(FOR MOVABLE ELBOWS)

(NOW OBSOLETE EXCEPT FOR MAINTENANCE)

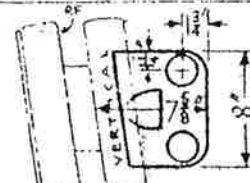


[WT. 141 LBS.]

BC (COMP.)

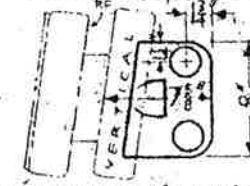
[WT. 21 LBS.]

CORRECT DESCRIPTION :-
(WITH RAIL SECTION)



"BC (COMP) GUARDS (6 TO 8) B"

(RAIL VERTICAL)



"BC (COMP) GUARDS (6 TO 8) B"

(RAIL VERTICAL)

CC

SEE "CHAIRS (2)" DRG. NO R1782

NOTE: ALL OLD ELBOW CHAIRS HAVE SEATING DEPTH 1 1/2" HEIGHT OF BOSS ABOVE BASE 1 1/2" AND ARE ALSO USED FOR BOSS SECTION

R1780

CHISE ENGINEER'S OFFICE

PADDINGTON

AUG. 1938