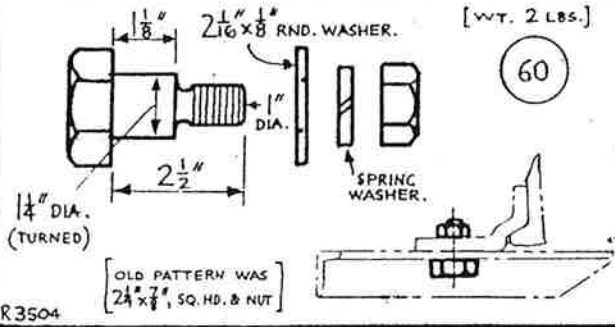


# NOTES.

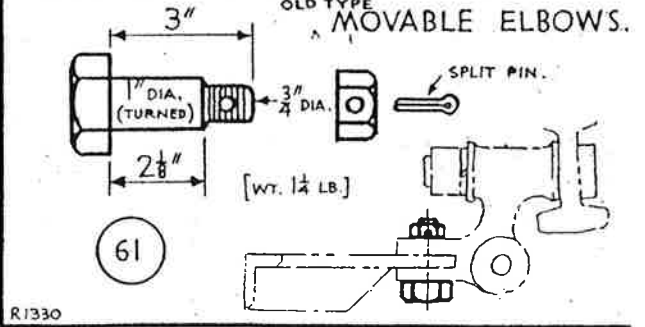
# BOLTS, ETC. (2)

THESE NOTES ARE INTENDED FOR THE GUIDANCE AND ASSISTANCE OF STAFF ENGAGED UPON PERMANENT WAY WORK. THEY DO NOT IN ANY WAY MODIFY, SUPPLEMENT OR AMEND THE INSTRUCTIONS LAID DOWN IN E.D.I., STANDARD DRAWINGS, CIRCULARS ETC., WHICH SHOULD BE REFERRED TO IN ALL CASES.

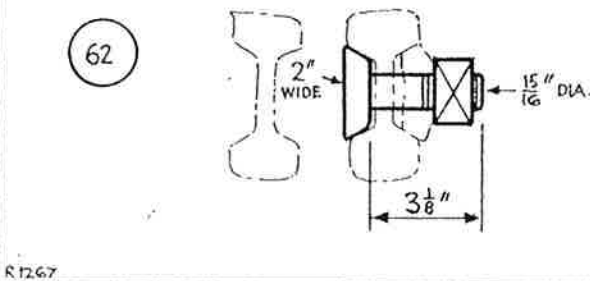
### TURNED BOLT FOR ANGLE STRETCHER-BAR



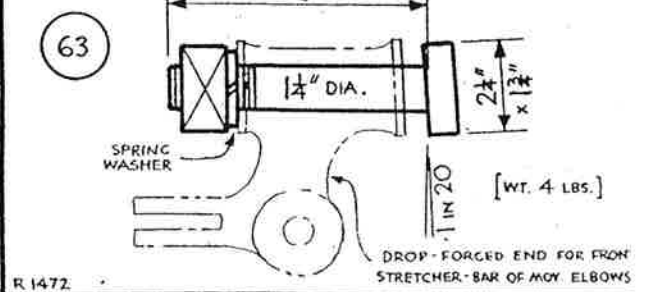
### TURNED BOLT FOR FRONT STRETCHER-BAR OF OLD TYPE MOVABLE ELBOWS.



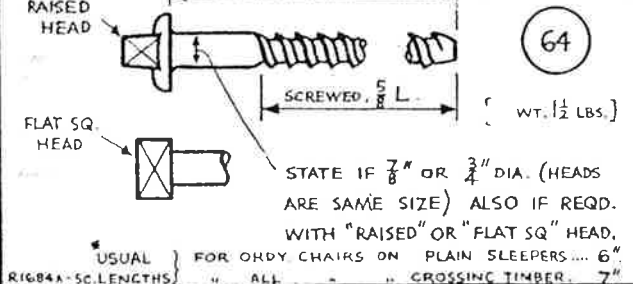
### SPECIAL FLAT-HEAD FISHBOLT FOR 86A SEC. CHECK RAIL.



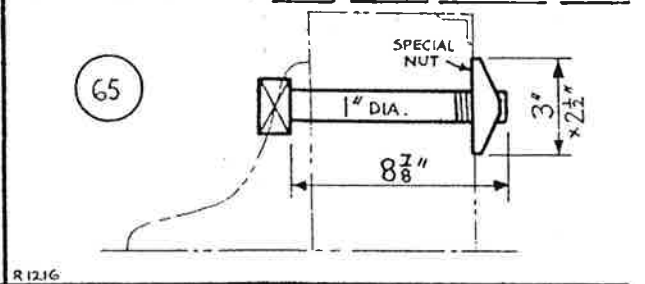
### BOLT FOR FRONT STRETCHER-BAR OF OLD TYPE MOVABLE ELBOWS.



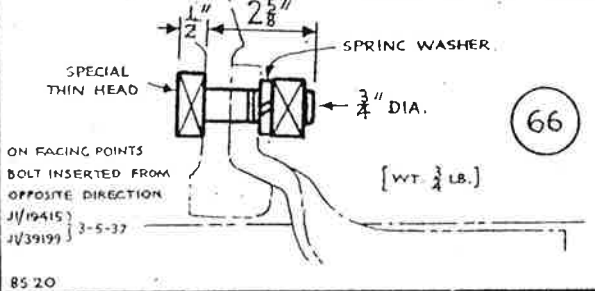
### PARALLEL-SHANK COACH-SCREW. (CALV. STEEL)



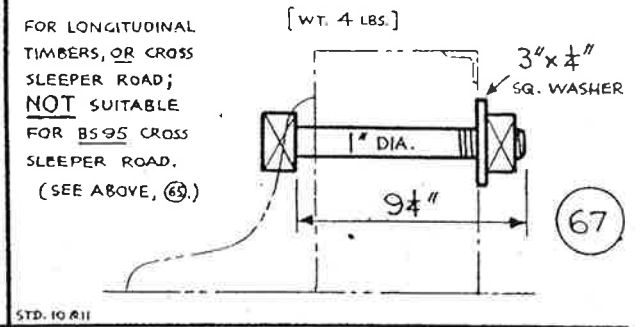
### BOLT FOR OUTSIDE TIMBER VIADUCT GUARD WITH SPECIAL NUT FOR BS95 CROSS-SLEEPER ROAD



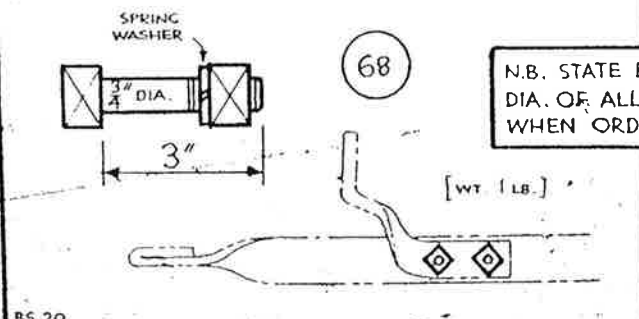
### THIN-HEAD BOLT FOR WILLIAMS FLEXIBLE STRETCHER-BAR



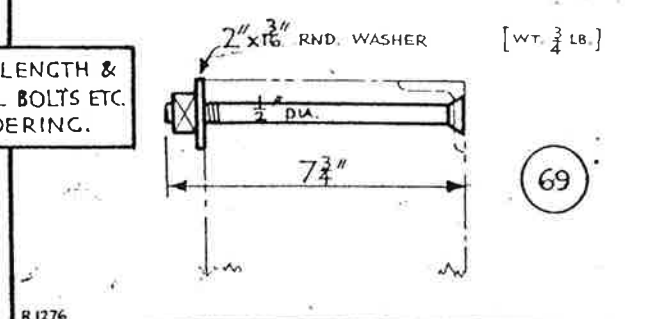
### BOLT FOR OUTSIDE TIMBER VIADUCT GUARD.



### BOLT FOR WILLIAMS FLEXIBLE STRETCHER-BAR



### CSK. BOLT FOR OUTSIDE TIMBER VIADUCT GUARD



N.B. STATE LENGTH & DIA. OF ALL BOLTS ETC. WHEN ORDERING.